

757-511-380.SC
On-Side Drawer Slide

Designed for Plastunion
On-Side System

Applications:

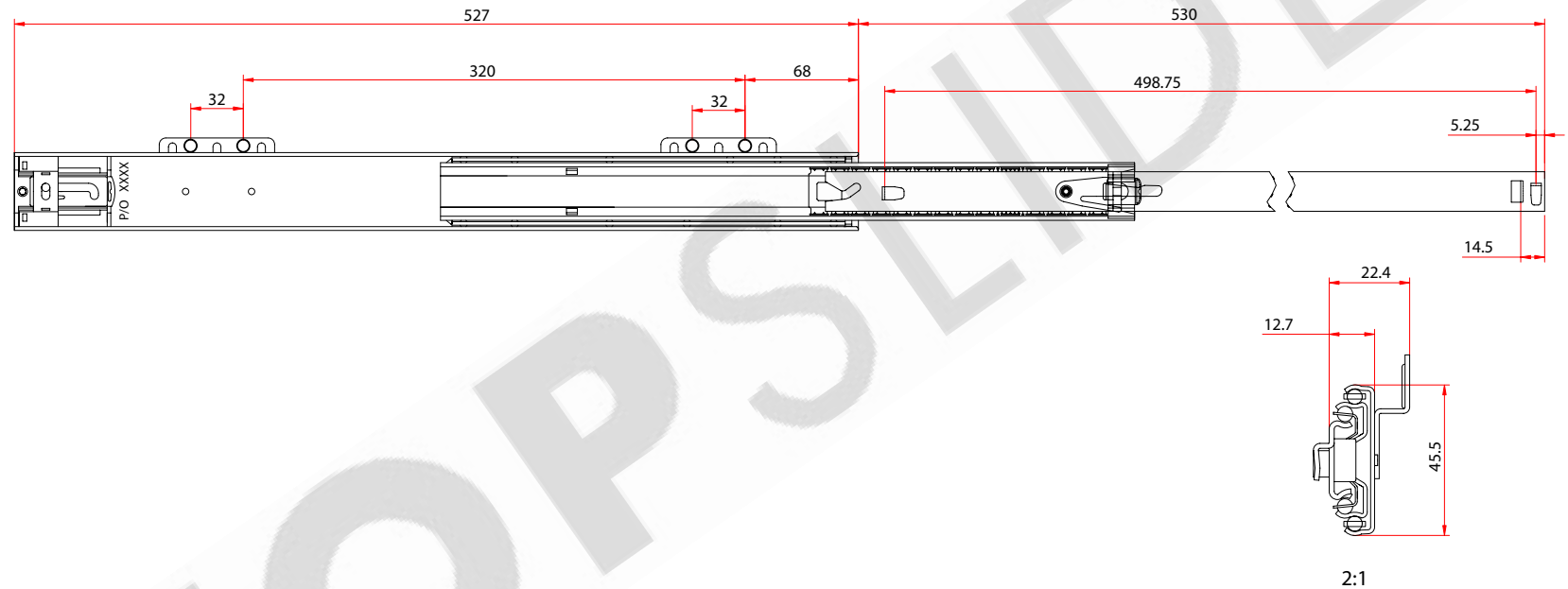
- Office furniture
- Cabinets with 380mm internal width

Features:

- 100 lb./ 45kg load rating
- Full extension
- Self closing
- Positive stop
- Detent-in
- Side mounted
- 32mm system hole pattern
- Zinc finish

Options:

- Available for cabinets with 392mm internal width



Model No. 757-511-380.SC
On-Side Drawer Slide