

757-460
Full Extension Slide

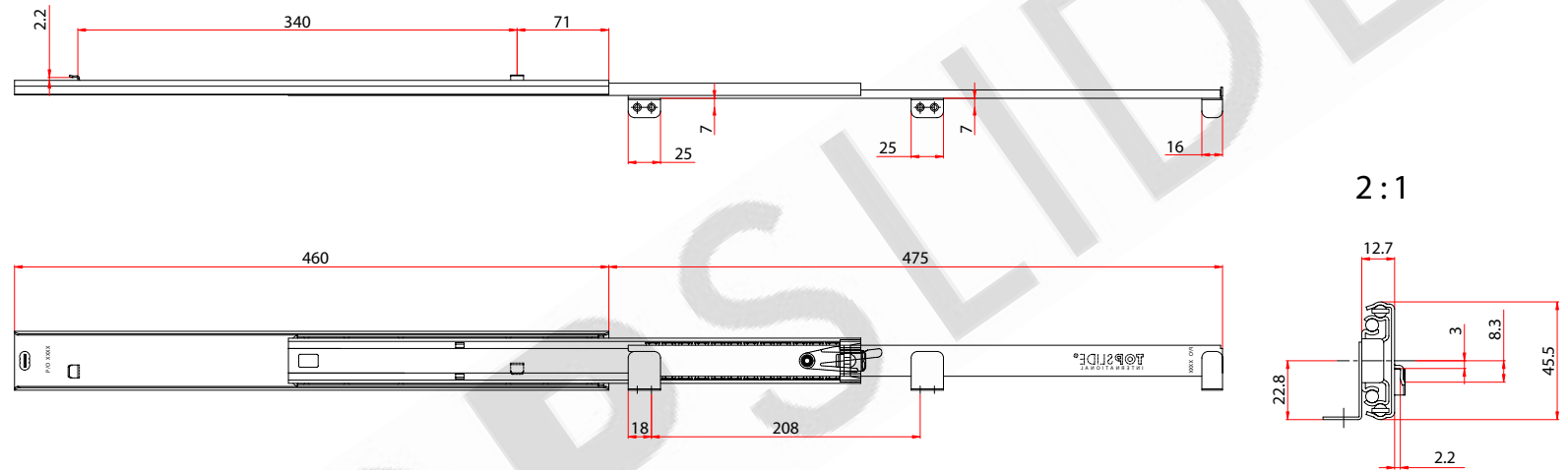
Medium duty slide

Applications:

- Kitchen accessories

Features:

- 100 lb./ 45kg load rating
- Full extension
- 15mm over travel
- Brackets and tabs
- Positive stop
- Detent-in
- Side mounted
- 32mm system hole pattern
- Zinc finish



Model No. 757-460
Full Extension Slide