

757-374-380
On-Side Drawer Slide

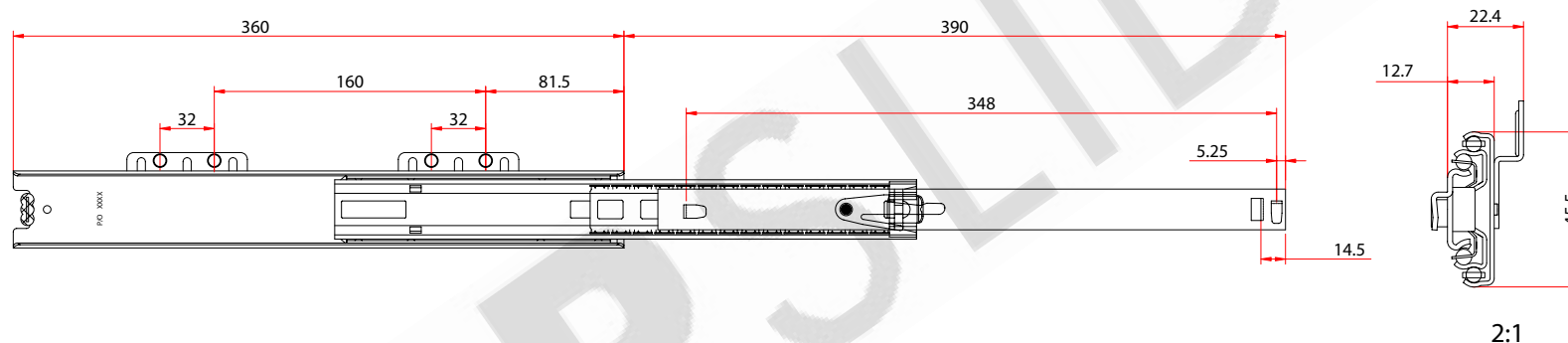
Designed for Plastunion
On-Side System

Applications:

- Office furniture
- Cabinets with 380mm internal width

Features:

- 100 lb./ 45kg load rating
- Full extension
- Positive stop
- Detent-in
- Side mounted
- 32mm system hole pattern
- Zinc finish



Model No. 757-374-380
On-Side Drawer Slide